

WATER DISTRIBUTOR SERIES

2022

EDITION FOR
SNOWATE CATALOG

Snowate

Hengshui Snowate Environmental
Technology Co., Ltd.

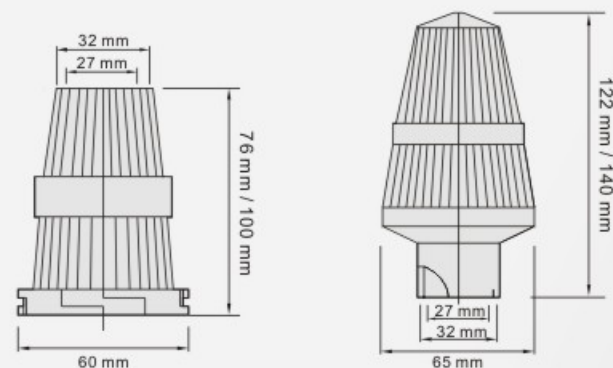
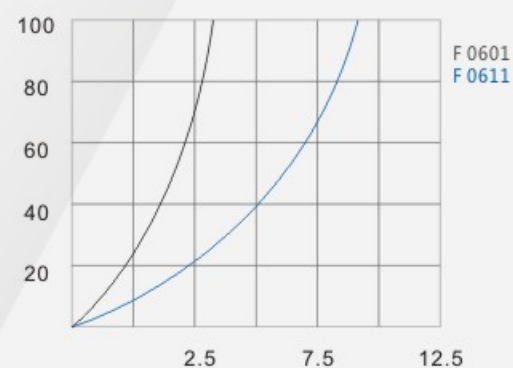


FLECK 上下集散

FLECK TOP & BOTTOM DISTRIBUTOR

型号 MODEL	名称 NAME	通用罐体 TANKS
F 0601	6分富莱克上集散 3/4" Fleck top distributor	6"-16" ϕ 150- ϕ 400mm
F 0602	6分富莱克下集散 3/4" Fleck bottom distributor	6"-16" ϕ 150- ϕ 400mm
F 0611	1寸富莱克上集散 1" Fleck top distributor	6"-16" ϕ 150- ϕ 400mm
F 0612	1寸富莱克下集散 1" Fleck bottom distributor	6"-16" ϕ 150- ϕ 400mm

X - 流量 (GPM), 1GPM=227 L/H
Y - 压降 (PSI), 1PSI=0.007 Mpa



F 0601



F 0611



F 0602



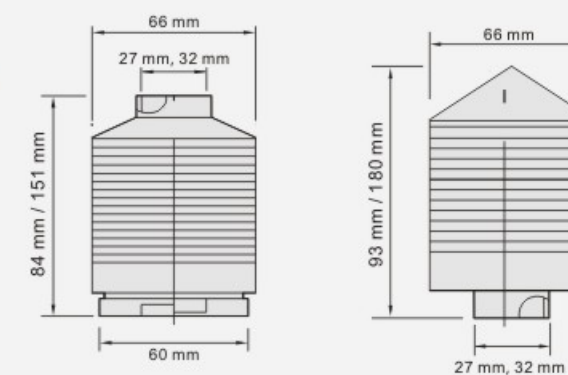
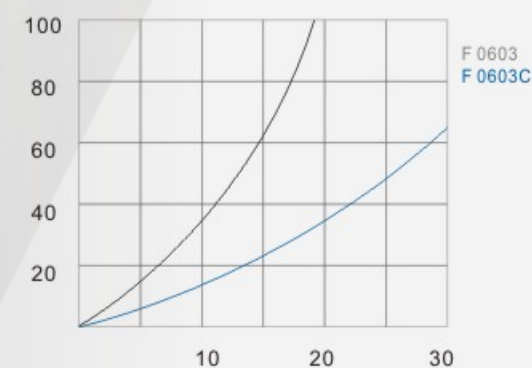
F 0612

香菇头 上下集散

MUSHROOM TOPPED DISTRIBUTOR

型号 MODEL	名称 NAME	通用罐体 TANKS
F 0603	6分香菇头上集散 3/4" Mushroom top distribuor	6"-16" ϕ 150- ϕ 400mm
F 0604	6分香菇头下集散 3/4" Mushroom bottom distribuor	6"-16" ϕ 150- ϕ 400mm
F 0613	1寸香菇头上集散 1" Mushroom top distribuor	6"-16" ϕ 150- ϕ 400mm
F 0614	1寸香菇头下集散 1" Mushroom bottom distribuor	6"-16" ϕ 150- ϕ 400mm
F 0603C	6分加长香菇头上集散 3/4" Mushroom top distribuor	6"-16" ϕ 150- ϕ 400mm
F 0604C	6分加长香菇头下集散 3/4" Mushroom bottom distribuor	6"-16" ϕ 150- ϕ 400mm
F 0613C	1寸加长香菇头上集散 1" Mushroom top distribuor	6"-16" ϕ 150- ϕ 400mm
F 0614C	1寸加长香菇头下集散 1" Mushroom bottom distribuor	6"-16" ϕ 150- ϕ 400mm

X - 流量 (GPM), 1GPM=227 L/H
Y - 压降 (PSI), 1PSI=0.007 Mpa



F 0603



F 0613C



F 0604



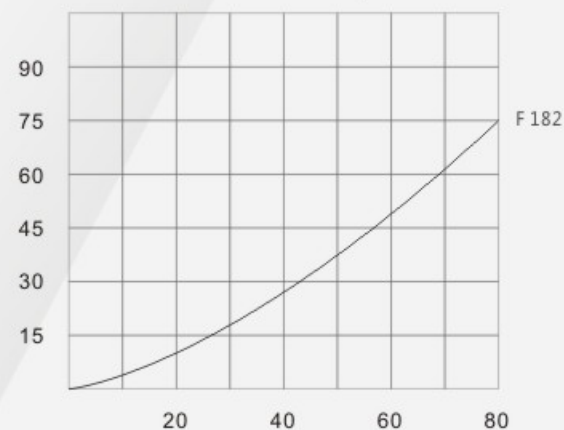
F 0614C

1.5" 顶装式上布水器(汉堡头)

TOP-MOUNTED UPPER DISTRIBUTOR (HAMBURGER HEAD)

型号 MODEL	名称 NAME	通用罐体 TANKS
F 182	182 上汉堡头/182 top stack screen	12"-48"/ ϕ 300- ϕ 1200mm
F 182L	182 螺纹口上汉堡头/182-.thread(可配润新阀用)	12"-48"/ ϕ 300- ϕ 1200mm
F 182X	182 下汉堡头/182 bottom stack screen	12"-48"/ ϕ 300- ϕ 1200mm

X - 流量 (GPM), 1GPM=227 L/H
Y - 压降 (PSI), 1PSI=0.007 Mpa



F 182



F 182L



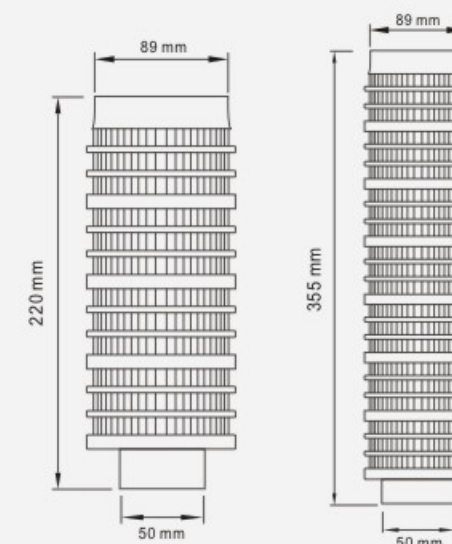
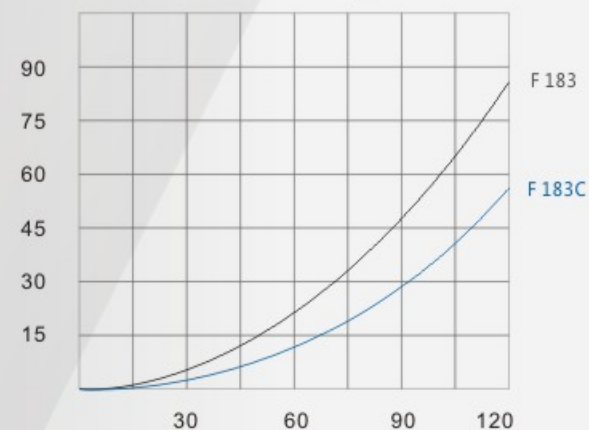
F 182X

1.5" 顶装式上布水器(汉堡头)

TOP-MOUNTED UPPER DISTRIBUTOR (HAMBURGER HEAD)

型号 MODEL	名称 NAME	通用罐体 TANKS
F 183	183 上汉堡头/183 top stack screen	12"-48"/ ϕ 300- ϕ 1200mm
F 183L	183 螺纹口上汉堡头/183-.thread(可配润新阀用)	12"-48"/ ϕ 300- ϕ 1200mm
F 183X	183 下汉堡头/183 bottom stack screen	12"-48"/ ϕ 300- ϕ 1200mm
F 183C	183 上汉堡头加长/183 top stack screen lengthen	12"-48"/ ϕ 300- ϕ 1200mm
F 183CL	183 螺纹口上汉堡头加长/183-.thread(可配润新阀用)	12"-48"/ ϕ 300- ϕ 1200mm
F 183CX	183 下汉堡头加长/183 bottom stack screen lengthen	12"-48"/ ϕ 300- ϕ 1200mm

X - 流量 (GPM), 1GPM=227 L/H
Y - 压降 (PSI), 1PSI=0.007 Mpa



F 183



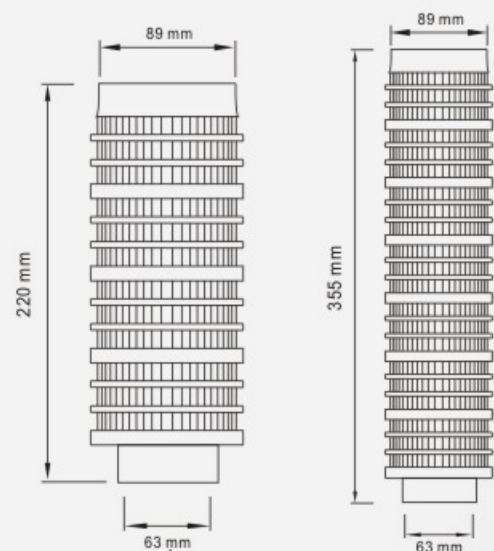
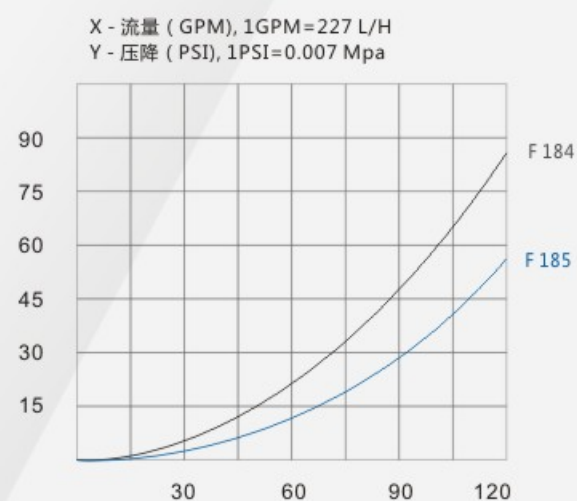
F 183L



F 183X

2" 顶装式上布水器 TOP-MOUNTED UPPER DISTRIBUTOR

型号 MODEL	名称 NAME	通用罐体 TANKS
F 184	184 上汉堡头/184 top stack screen	12"-63"/ ϕ 300- ϕ 1600mm
F 184L	184 螺纹口上汉堡头/184-.thread(可配润新阀用)	12"-63"/ ϕ 300- ϕ 1600mm
F 184X	184 下汉堡头/184 bottom stack screen	12"-63"/ ϕ 300- ϕ 1600mm
F 185	185 上汉堡头/185 top stack screen	12"-63"/ ϕ 300- ϕ 1600mm
F 185L	185 螺纹口上汉堡头/185-.thread(可配润新阀用)	12"-63"/ ϕ 300- ϕ 1600mm
F 185X	185 下汉堡头/185 bottom stack screen	12"-63"/ ϕ 300- ϕ 1600mm



F 184

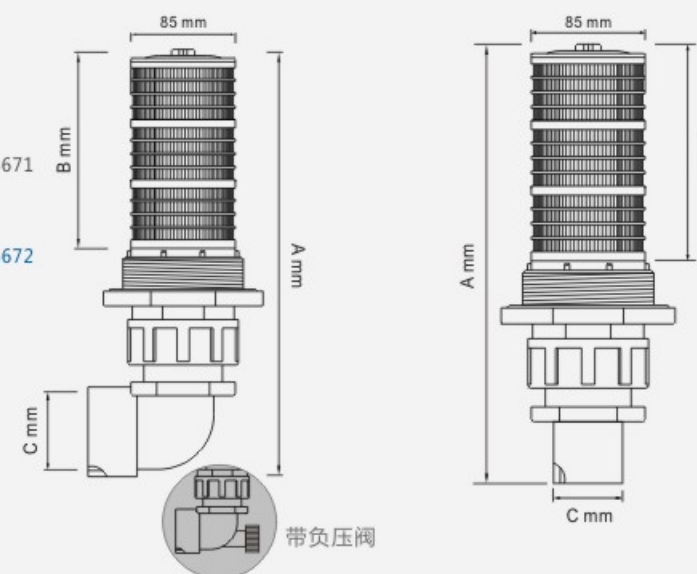
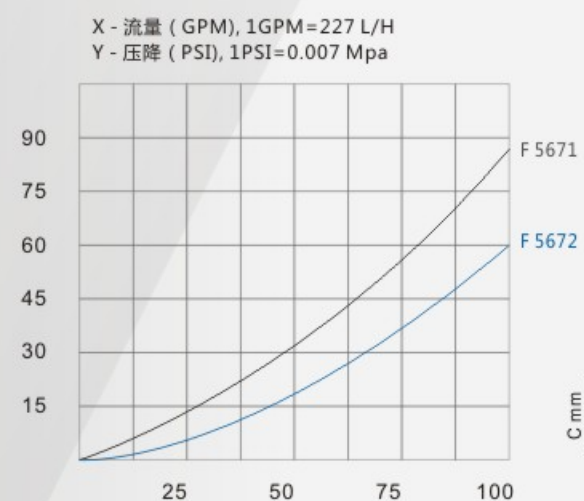
F 184L

F 185L

F 185X

4" 侧装上布水器 4" THREAD SIDE-MOUNTED UPPER DIFFUSER

型号 MODEL	A	B	C	开口 PORT	通用罐体 TANKS
F 5671	365	180	63	4"thread	12"-48"/ ϕ 300-1200mm
F 5672	480	290	63	4"thread	12"-48"/ ϕ 300-1200mm
F 5671Z	320	180	63/60.3	4"thread	12"-48"/ ϕ 300-1200mm
F 5672Z	435	290	63/60.3	4"thread	12"-48"/ ϕ 300-1200mm
F 5671F	365	180	63	4"thread	12"-48"/ ϕ 300-1200mm
F 5672F	480	290	63	4"thread	12"-48"/ ϕ 300-1200mm



F 5671

F 5672

F 5671F

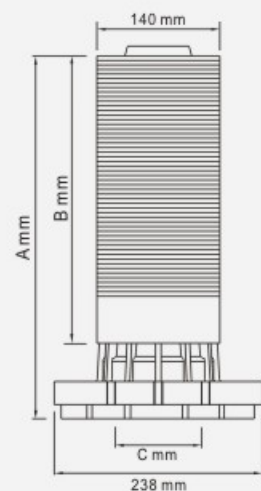
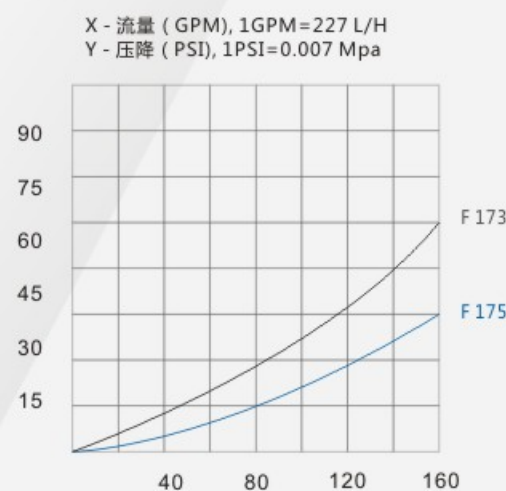
F 5672Z

6" 侧装上布水器

6" SIDE-MOUNTED UPPER DIFFUSER

型号 MODEL	A	B	C	开口 PORT	通用罐体 TANKS
F 173	365	245	90/110/PT3"	6"flange	36"-80"/φ900-2000mm
F 175	445	330	90/110/PT3"	6"flange	36"-80"/φ900-2000mm
F 173-0.5	365	245	90/110/PT3"	6"flange	36"-80"/φ900-2000mm
F 175-0.5	445	330	90/110/PT3"	6"flange	36"-80"/φ900-2000mm
FB 173	275	245	G3"	6"flange	36"-80"/φ900-2000mm
FB 175	360	330	G3"	6"flange	36"-80"/φ900-2000mm

备注：主体缝隙宽度有二种：0.25、0.5mm 默认标准为0.25mm

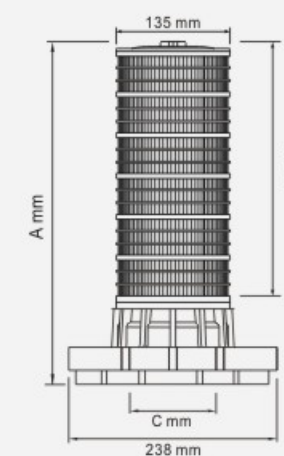
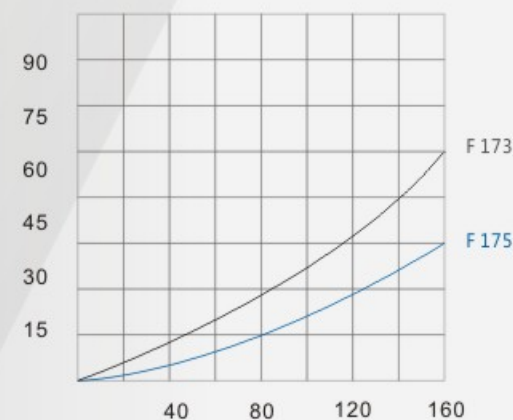


6" 侧装上布水器

6" SIDE-MOUNTED UPPER DIFFUSER

型号 MODEL	A	B	C	开口 PORT	通用罐体 TANKS
F 172W	305	200	90/110/PT3"	6"flange	24"-40"/φ600-1000mm
F 173W	365	245	90/110/PT3"	6"flange	36"-80"/φ900-2000mm
F 175W	455	330	90/110/PT3"	6"flange	36"-80"/φ900-2000mm
FB 173W	275	245	G3"	6"flange	36"-80"/φ900-2000mm
FB 175W	360	330	G3"	6"flange	36"-80"/φ900-2000mm

X - 流量 (GPM), 1GPM=227 L/H
Y - 压降 (PSI), 1PSI=0.007 Mpa



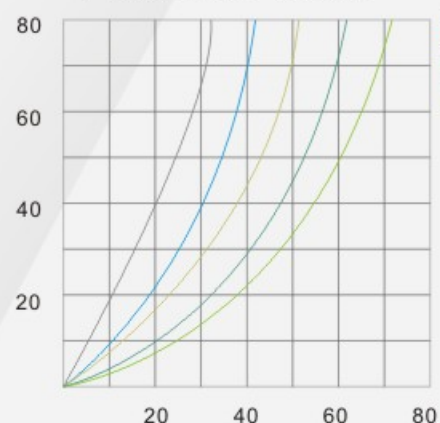
注：材质为PVDF可定制

6爪 顶装式六爪下布水器

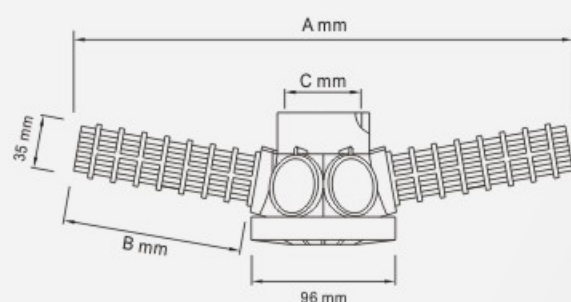
TOP-MOUNTED SIX-CLAW LOWER DISTRIBUTOR

型号 MODEL	A	B	C	支管缝细 GAP	开口 PORT	通用罐体 TANKS
FU 6260	255	99	50/48.5	0.25mm	4" thread	12"-16"/ ϕ 300- ϕ 400mm
FU 6370	365	155	50/48.5	0.25mm	4" thread	18"-21"/ ϕ 400- ϕ 550mm
FU 6450	450	200	50/48.5	0.25mm	4" thread	24"/ ϕ 600mm
FU 6600	610	280	50/48.5	0.25mm	4" thread	30"/ ϕ 750mm
FU 6700	700	325	50/48.5	0.25mm	4" thread	36"/ ϕ 900mm
FU 6800	850	400	50/48.5	0.25mm	4" thread	40"/ ϕ 1000mm
FU 6900	940	445	50/48.5	0.25mm	4" thread	48"/ ϕ 1200mm

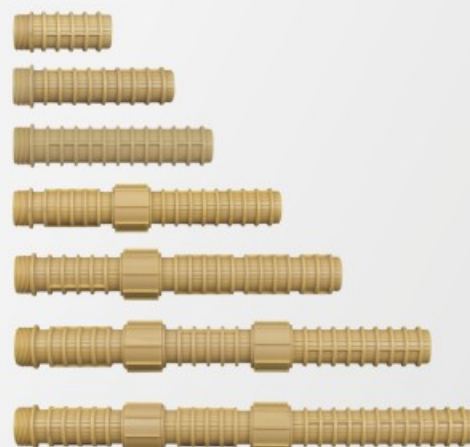
X - 流量 (GPM), 1GPM=227 L/H
Y - 压降 (PSI), 1PSI=0.007 Mpa



FU 6260
FU 6370
FU 6450
FU 6600
FU 6700



FU 6450



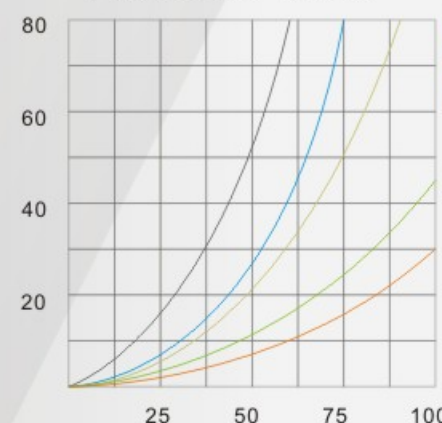
6爪 顶装式六爪下布水器(高流速)

TOP-MOUNTED SIX-CLAW LOWER DISTRIBUTOR(HIGH FLOW)

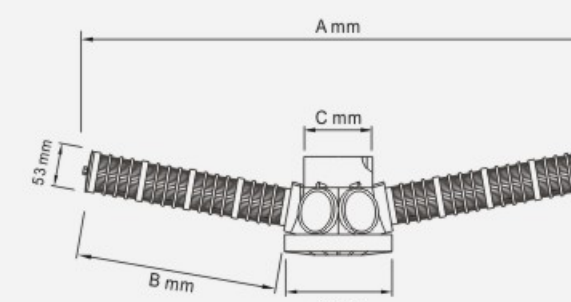
型号 MODEL	A	B	C	支管缝细 GAP	开口 PORT	通用罐体 TANKS
FU 6260B	310	132	50/48.5/63	0.2/0.25/0.5mm	4" thread	16"-18"/ ϕ 400- ϕ 450mm
FU 6370B	430	197	50/48.5/63	0.2/0.25/0.5mm	4" thread	21"/ ϕ 550mm
FU 6450B	500	227	50/48.5/63	0.2/0.25/0.5mm	4" thread	24"/ ϕ 600mm
FU 6600B	620	290	50/48.5/63	0.2/0.25/0.5mm	4" thread	30"/ ϕ 750mm
FU 6700B	750	353	50/48.5/63	0.2/0.25/0.5mm	4" thread	36"/ ϕ 900mm
FU 6800B	870	416	50/48.5/63	0.2/0.25/0.5mm	4" thread	40"/ ϕ 1000mm
FU 6900B	990	479	50/48.5/63	0.2/0.25/0.5mm	4" thread	48"/ ϕ 1200mm

备注：支管缝隙宽度有三种：0.2、0.25、0.5mm 默认标准为0.25mm

X - 流量 (GPM), 1GPM=227 L/H
Y - 压降 (PSI), 1PSI=0.007 Mpa



FU 6260B
FU 6370B
FU 6450B
FU 6600B
FU 6700B



FU 6600B



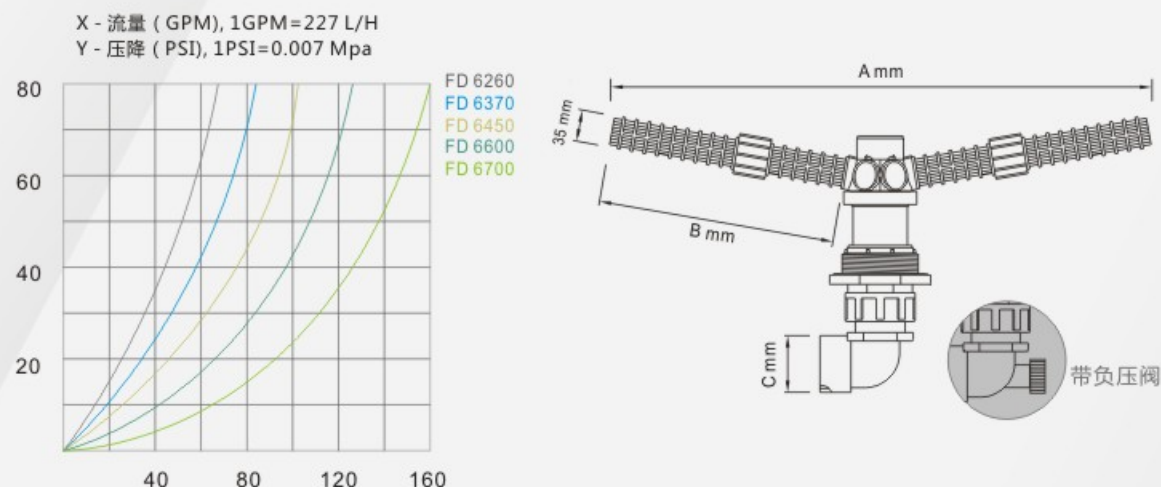
2"接口适用于3150阀
如：FU6700B-63

6爪 侧装式六爪下布水器

SIDE-MOUNTED SIX-CLAW LOWER DISTRIBUTOR

型号 MODEL	A	B	C	支管缝细 GAP	开口 PORT	通用罐体 TANKS
FD 6260	255	99	63	0.25mm	4" thread	12"-16"/ ϕ 300- ϕ 400mm
FD 6370	365	155	63	0.25mm	4" thread	18"-21"/ ϕ 450- ϕ 550mm
FD 6450	450	200	63	0.25mm	4" thread	24"/ ϕ 600mm
FD 6600	610	280	63	0.25mm	4" thread	30"/ ϕ 750mm
FD 6700	700	325	63	0.25mm	4" thread	36"/ ϕ 900mm
FD 6800	850	400	63	0.25mm	4" thread	40"/ ϕ 1000mm
FD 6900	940	445	63	0.25mm	4" thread	48"/ ϕ 1200mm

备注：如需带负压阀请在型号后面加“F”字母，“FD6450F”

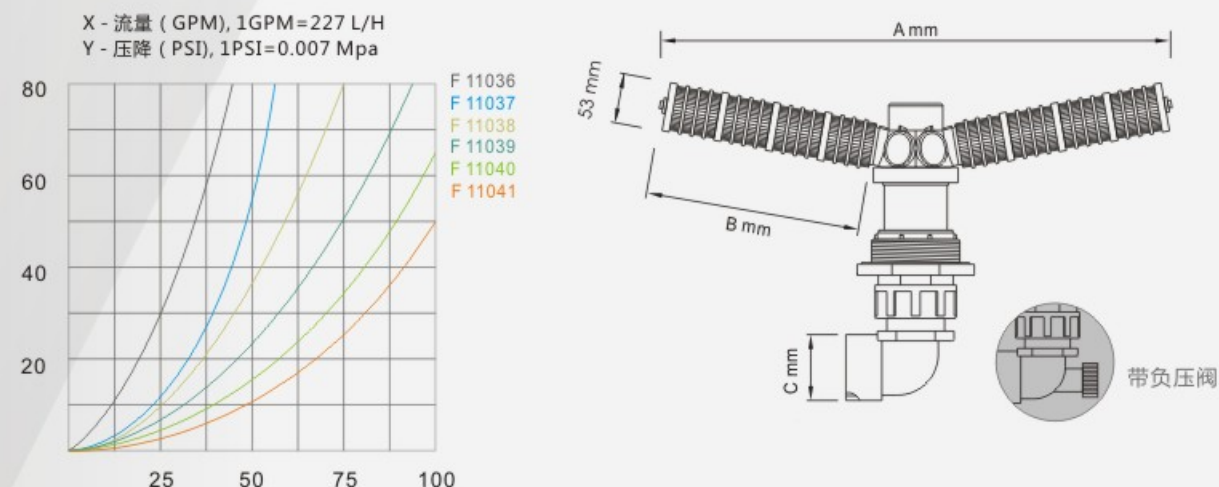


6爪 侧装式六爪下布水器(高流速)

SIDE-MOUNTED SIX-CLAW LOWER DISTRIBUTOR(HIGH FLOW)

型号 MODEL	A	B	C	支管缝细 GAP	开口 PORT	通用罐体 TANKS
F 11036	310	132	63	0.2/0.25/0.5mm	4" thread	16"-18"/ ϕ 400- ϕ 450mm
F 11037	430	197	63	0.2/0.25/0.5mm	4" thread	21"/ ϕ 550mm
F 11038	500	227	63	0.2/0.25/0.5mm	4" thread	24"/ ϕ 600mm
F 11039	620	290	63	0.2/0.25/0.5mm	4" thread	30"/ ϕ 750mm
F 11040	750	353	63	0.2/0.25/0.5mm	4" thread	36"/ ϕ 900mm
F 11041	870	416	63	0.2/0.25/0.5mm	4" thread	40"/ ϕ 1000mm
F 11042	990	479	63	0.2/0.25/0.5mm	4" thread	48"/ ϕ 1200mm

备注：如需带负压阀请在型号后面加“F”字母，“F11036F”



备注：支管缝隙宽度有三种：0.2、0.25、0.5mm 默认标准为0.25mm

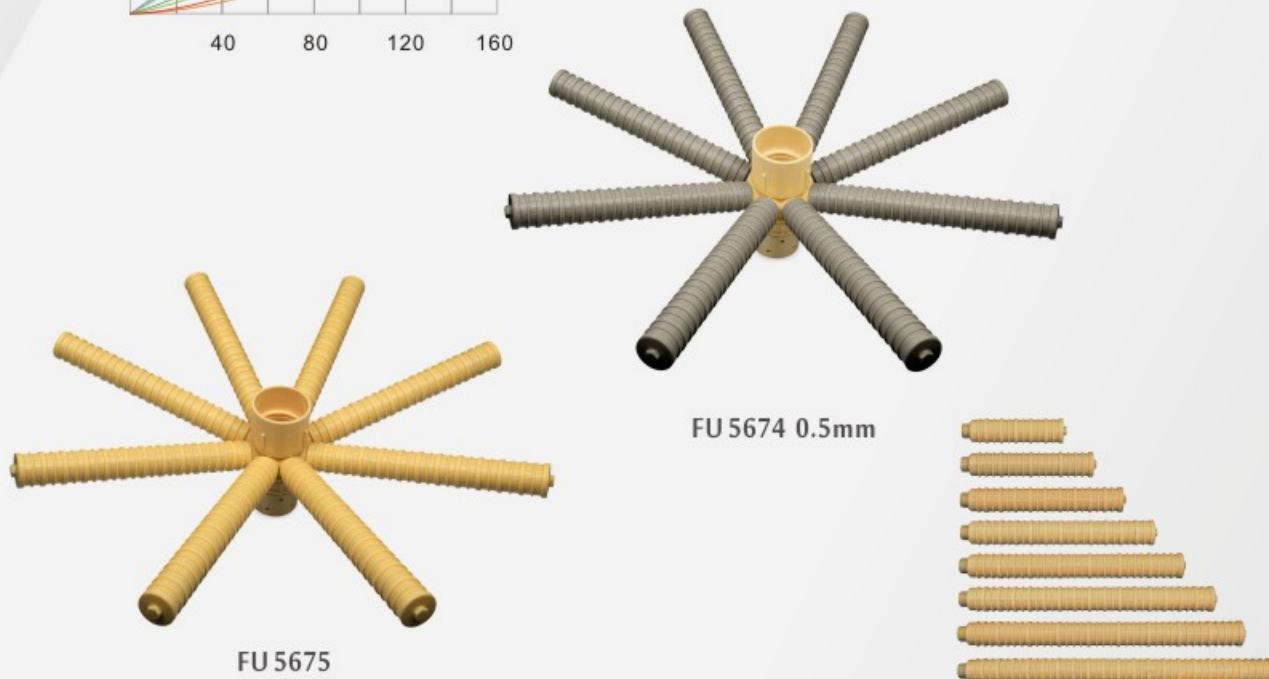
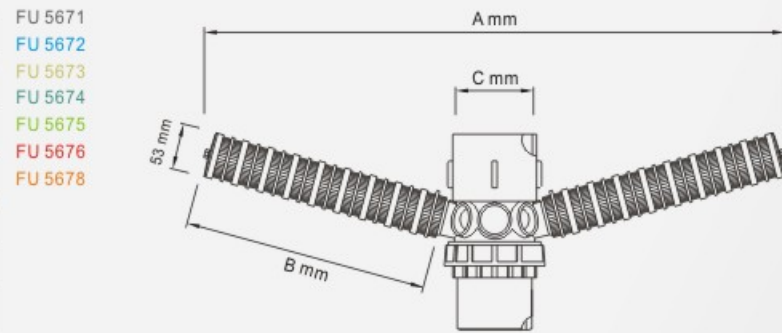
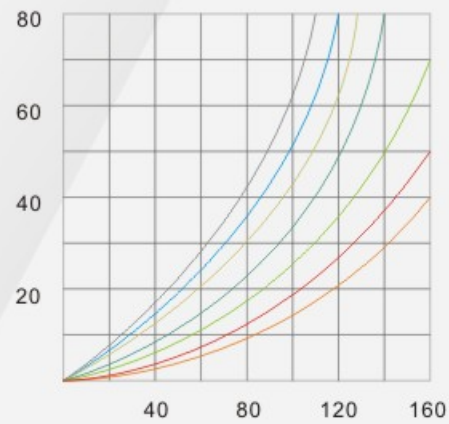
8爪 顶装式八爪下布水器

TOP-MOUNTED EIGHT-CLAW LOWER DISTRIBUTOR

型号 MODEL	A	B	C	支管缝细 GAP	开口 PORT	通用罐体 TANKS
FU 5671	520	227	90	0.2/0.25/0.5mm	6" flange	24" / φ600mm
FU 5672	650	290	90	0.2/0.25/0.5mm	6" flange	30" / φ750mm
FU 5673	770	353	90	0.2/0.25/0.5mm	6" flange	36" / φ900mm
FU 5674	890	416	90	0.2/0.25/0.5mm	6" flange	40" / φ1000mm
FU 5675	1010	497	90	0.2/0.25/0.5mm	6" flange	48" / φ1200mm
FU 5676	1130	542	90	0.2/0.25/0.5mm	6" flange	56"-60" / φ1400-φ1500mm
FU 5678	1260	605	90	0.2/0.25/0.5mm	6" flange	63"-80" / φ1600-φ2000mm

备注：支管缝隙宽度有三种：0.2、0.25、0.5mm 默认标准为0.25mm

X - 流量 (GPM), 1GPM=227 L/H
Y - 压降 (PSI), 1PSI=0.007 Mpa



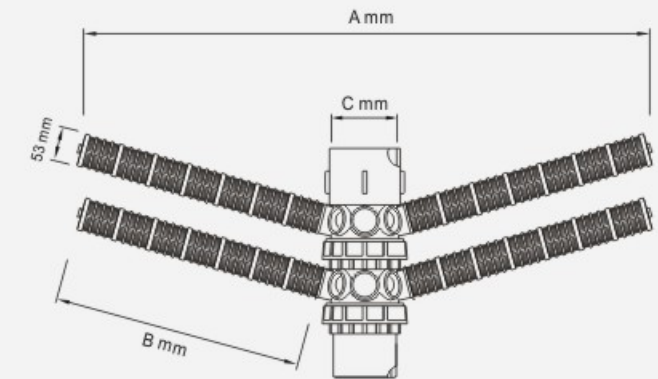
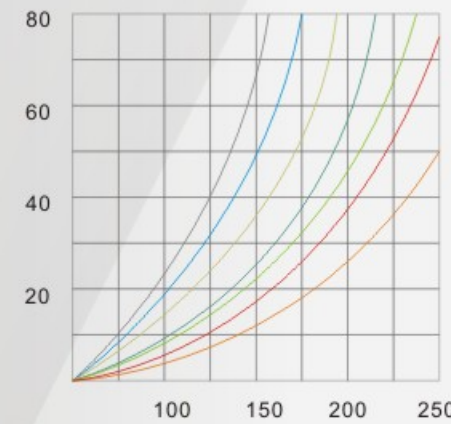
16爪 顶装式十六爪下布水器

TOP-MOUNTED SIXTEEN-CLAW LOWER DISTRIBUTOR

型号 MODEL	A	B	C	支管缝细 GAP	开口 PORT	通用罐体 TANKS
FU 5671-2	520	227	90	0.2/0.25/0.5mm	6" flange	24" / φ600mm
FU 5672-2	650	290	90	0.2/0.25/0.5mm	6" flange	30" / φ750mm
FU 5673-2	770	353	90	0.2/0.25/0.5mm	6" flange	36" / φ900mm
FU 5674-2	890	416	90	0.2/0.25/0.5mm	6" flange	40" / φ1000mm
FU 5675-2	1010	497	90	0.2/0.25/0.5mm	6" flange	48" / φ1200mm
FU 5676-2	1130	542	90	0.2/0.25/0.5mm	6" flange	56"-60" / φ1400-φ1500mm
FU 5678-2	1260	605	90	0.2/0.25/0.5mm	6" flange	63"-80" / φ1600-φ2000mm

备注：支管缝隙宽度有三种：0.2、0.25、0.5mm 默认标准为0.25mm

X - 流量 (GPM), 1GPM=227 L/H
Y - 压降 (PSI), 1PSI=0.007 Mpa

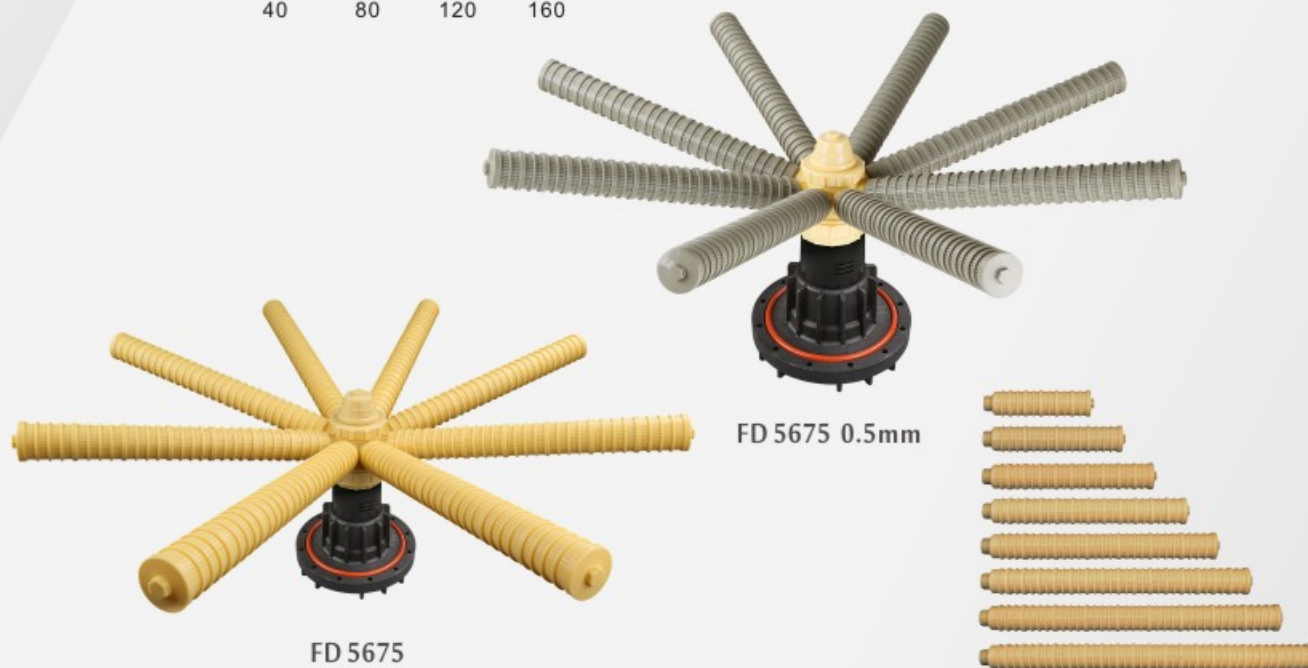
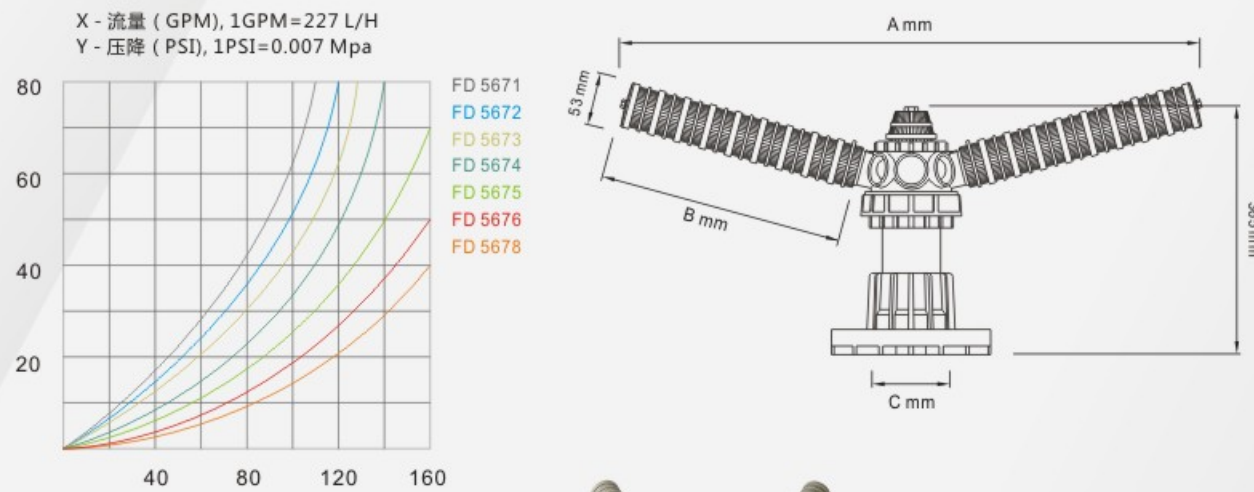


8爪 侧装式八爪下布水器

SIDE-MOUNTED EIGHT-CLAW LOWER DISTRIBUTOR

型号 MODEL	A	B	C	支管缝细 GAP	开口 PORT	通用罐体 TANKS
FD 5671	520	227	90/110/PT3"	0.2/0.25/0.5mm	6" flange	24" / ϕ 600mm
FD 5672	650	290	90/110/PT3"	0.2/0.25/0.5mm	6" flange	30" / ϕ 750mm
FD 5673	770	353	90/110/PT3"	0.2/0.25/0.5mm	6" flange	36" / ϕ 900mm
FD 5674	890	416	90/110/PT3"	0.2/0.25/0.5mm	6" flange	40" / ϕ 1000mm
FD 5675	1010	497	90/110/PT3"	0.2/0.25/0.5mm	6" flange	48" / ϕ 1200mm
FD 5676	1130	542	90/110/PT3"	0.2/0.25/0.5mm	6" flange	56"-60" / ϕ 1400- ϕ 1500mm
FD 5678	1260	605	90/110/PT3"	0.2/0.25/0.5mm	6" flange	63"-80" / ϕ 1600- ϕ 2000mm

备注：支管缝隙宽度有三种：0.2、0.25、0.5mm 默认标准为0.25mm

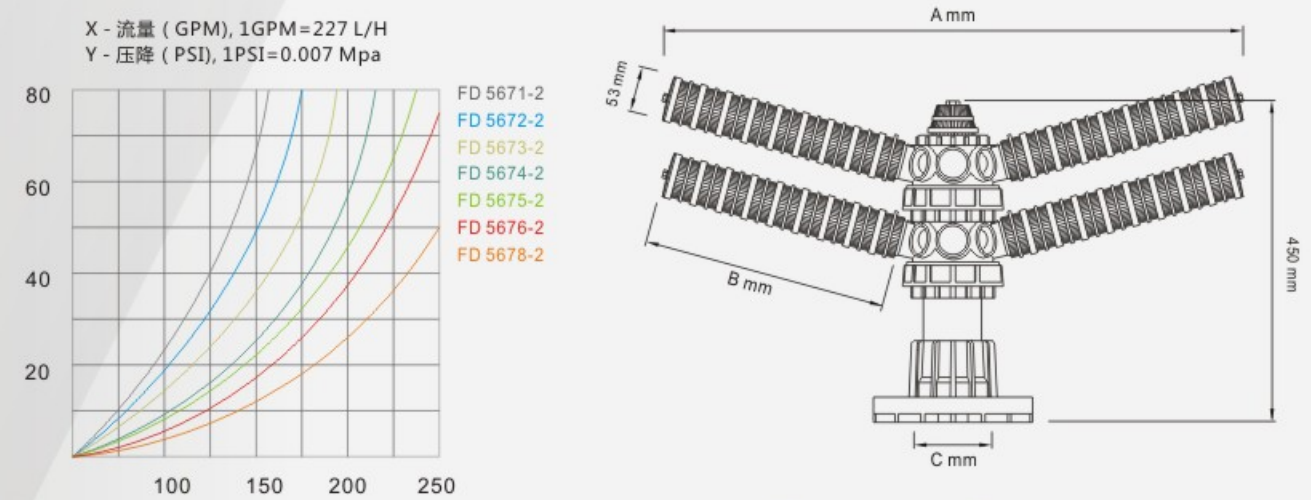


16爪 侧装式十六爪下布水器

SIDE-MOUNTED SIXTEEN-CLAW LOWER DISTRIBUTOR

型号 MODEL	A	B	C	支管缝细 GAP	开口 PORT	通用罐体 TANKS
FD 5671-2	520	227	90/110/PT3"	0.2/0.25/0.5mm	6" flange	24" / ϕ 600mm
FD 5672-2	650	290	90/110/PT3"	0.2/0.25/0.5mm	6" flange	30" / ϕ 750mm
FD 5673-2	770	353	90/110/PT3"	0.2/0.25/0.5mm	6" flange	36" / ϕ 900mm
FD 5674-2	890	416	90/110/PT3"	0.2/0.25/0.5mm	6" flange	40" / ϕ 1000mm
FD 5675-2	1010	497	90/110/PT3"	0.2/0.25/0.5mm	6" flange	48" / ϕ 1200mm
FD 5676-2	1130	542	90/110/PT3"	0.2/0.25/0.5mm	6" flange	56"-60" / ϕ 1400- ϕ 1500mm
FD 5678-2	1260	605	90/110/PT3"	0.2/0.25/0.5mm	6" flange	63"-80" / ϕ 1600- ϕ 2000mm

备注：支管缝隙宽度有三种：0.2、0.25、0.5mm 默认标准为0.25mm



其他布水器 OTHER DISTRIBUTORS



G2"内螺纹链接布水器
G2"INTERNAL THREAD CONNECTION



G3"外螺纹链接上布水器
G3"EXTERNAL THREAD TOP CONNECTION



G2"内螺纹链接下布水器
G2"INTERNAL THREAD LOWER CONNECTION



G3"外螺纹链接下布水器
G3"EXTERNAL THREAD LOWER CONNECTION

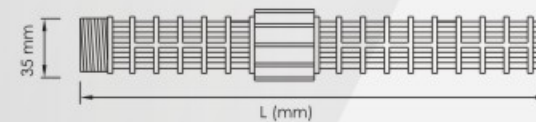


鱼刺型布水器
FISHBONE-TYPE DISTRIBUTOR

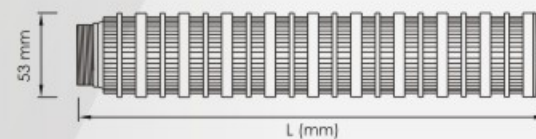


布水管 WATER DISTRIBUTION TUBES

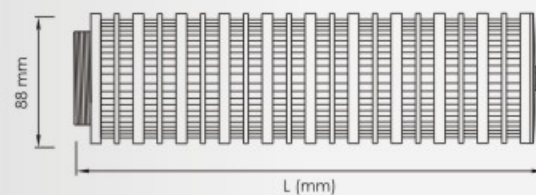
A 型	6260	6370	6450	6600	6700	6800	6900
L	100	155	200	280	325	400	430
接口	G1"	G1"	G1"	G1"	G1"	G1"	G1"



B 型	06网	08网	10网	12网	14网	16网	→
L	210	273	336	399	462	525	+63
接口	G1"	G1"	G1"	G1"	G1"	G1"	G1"



D 型	01网	03网	05网	07网	09网	11网	→
L	100	205	310	415	520	625	+105
接口	G2"	G2"	G2"	G2"	G2"	G2"	G2"



注：管体排水缝隙宽度有以下三种 0.2 0.25 0.5mm 默认标准为0.25mm
Notes: drain gaps on the pipe have three available widths, 0.2 0.25 0.5mm

黑三通 TANK HEAD

型号 MODEL	适用罐口 OPENING	中心管 TUBE	接口 PORT	材质 MATERIAL
F 8800-1/2	2.5"	26.7mm	G 1/2"	ABS
F 8800-3/4	2.5"	26.7mm	G 3/4"	ABS
F 8800-1	2.5"	26.7mm	G 1"	ABS
F 8801-1	2.5"	32.0mm	G 1"	ABS
FX 8800-3/4	2.5"	26.7mm	G 3/4"	ABS
FX 8800-1	2.5"	26.7mm	G 1"	ABS
F 8802	4"	50.0mm	G 2"	ABS

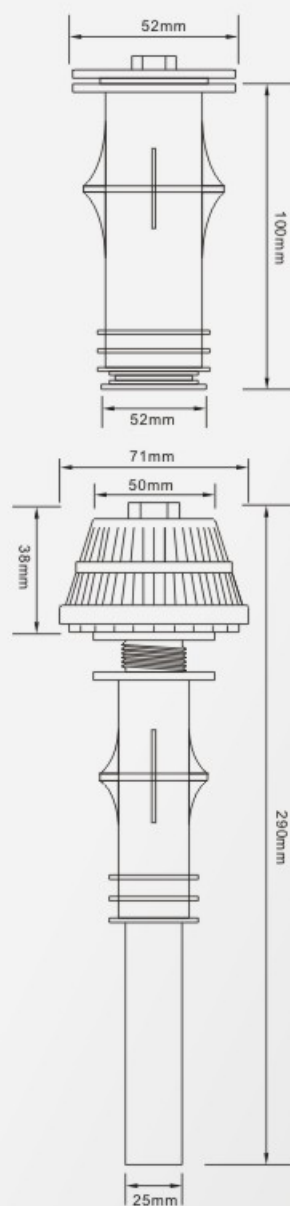


其它配件 OTHER ACCESSORIES



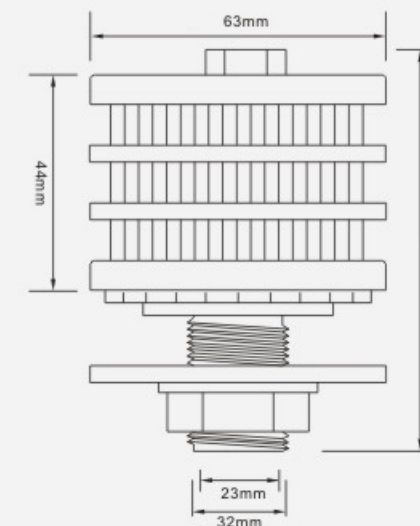
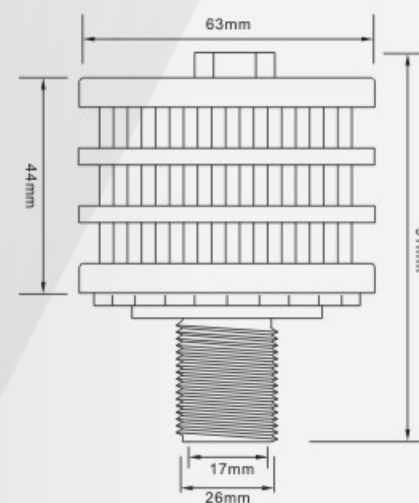
水帽
Filter-Nozzles

型号 MODEL	出水量 WATER OUTPUT	口径 caliber	缝隙 GAP	材质 MATERIAL
F 0505	0.5T/H	25	0.28MM	PP



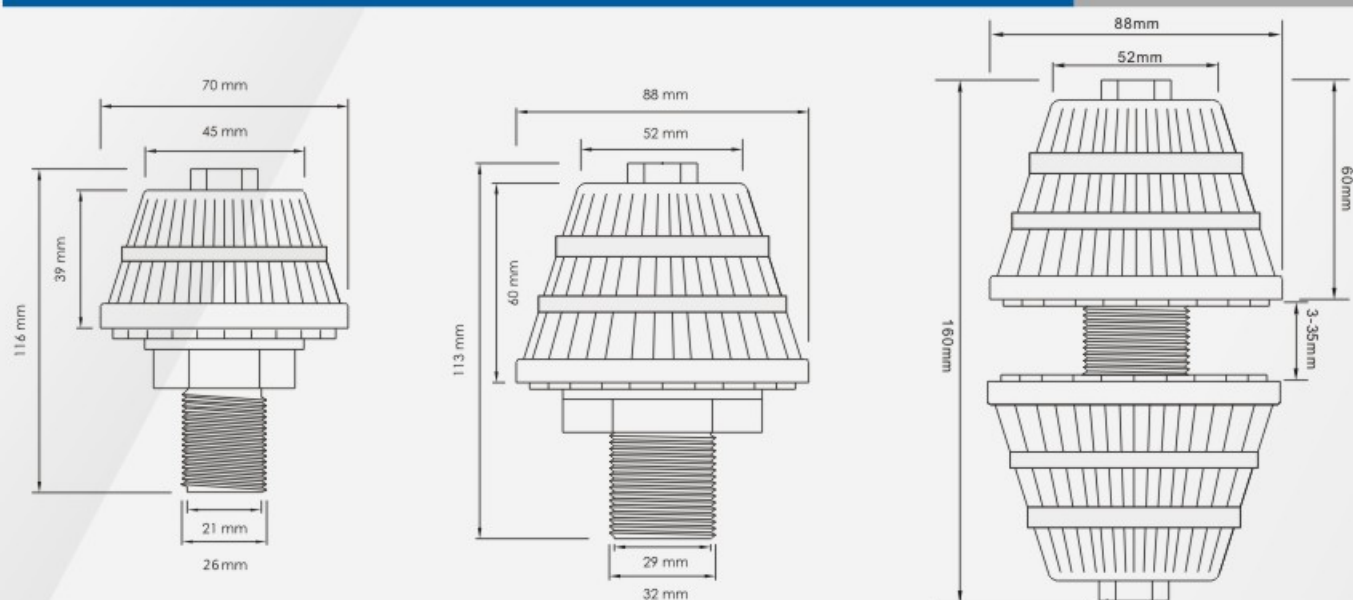
水帽
Filter-Nozzles

型号 MODEL	流量 FLOW	螺纹 THREAD	缝隙 GAP	材质 MATERIAL
F 0507	0.5 T/H	G3/4"	0.25mm/0.55mm	PP
F 0508	0.5 T/H	G1"	0.25mm/0.55mm	PP



水帽 Filter-Nozzles

型号 MODEL	出水量 WATER OUTPUT	螺纹 THREAD	缝隙 GAP	材质 MATERIAL
F 0501	0.5T/H	G3/4"	0.28	ABS/PP
F 0503	1T/H	G1"	0.28mm	ABS/PP
F 0504	1T/H	G1"	0.28mm	ABS/PP



F 0501



F 0503

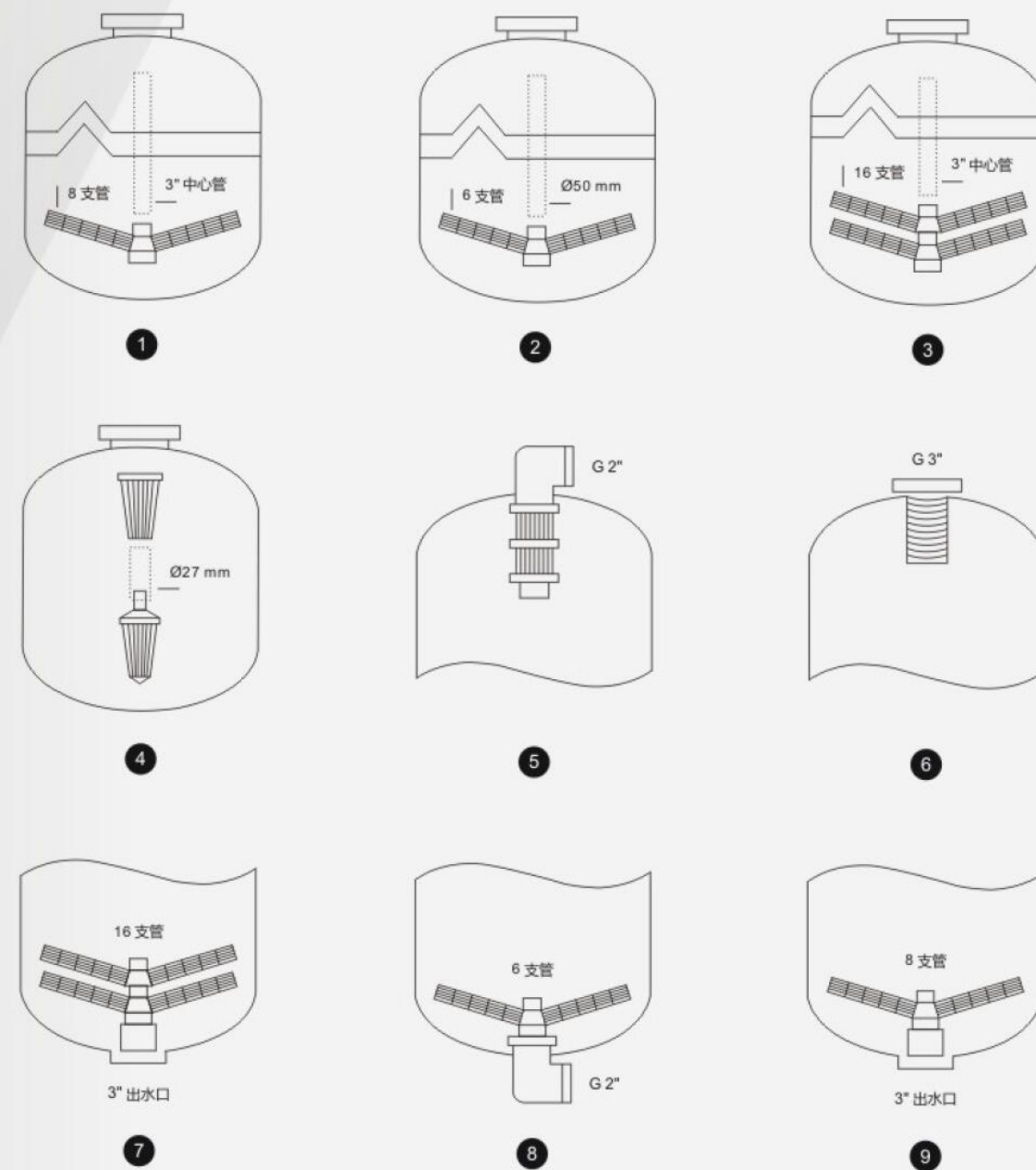


F 0504

布水器罐体内安装指南

Guide for installation of water tank body.

- 请您根据以下图示选购、安装适合您需要的布水器，如有任何疑问请随时联系我们。
- Please ordering / installing distributors according to the following illustrations, or any question, contact us.



Snowate



Ms Snow Zhao
snow@snowate.com
snow@membranehousing.org
Mobile: +86-15030811699
(WhatsApp, WeChat, Skype, Viber)